

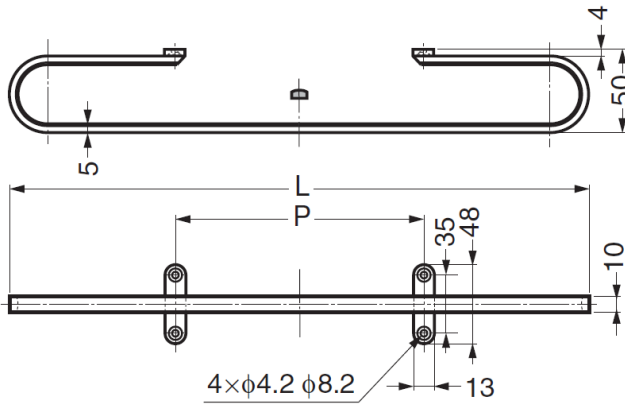
## GKB-T Stainless Steel Towel Bar

### Material

- Stainless steel 303, mirror finish

### Parts Included

- Raised countersunk head tapping screw 4×20 (SUS)



Part No.	L	P
GKB-T-350	350	150
GKB-T-450	450	250

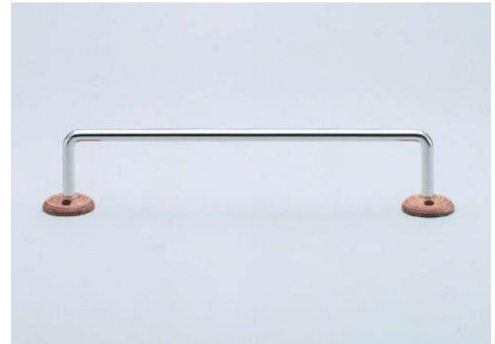
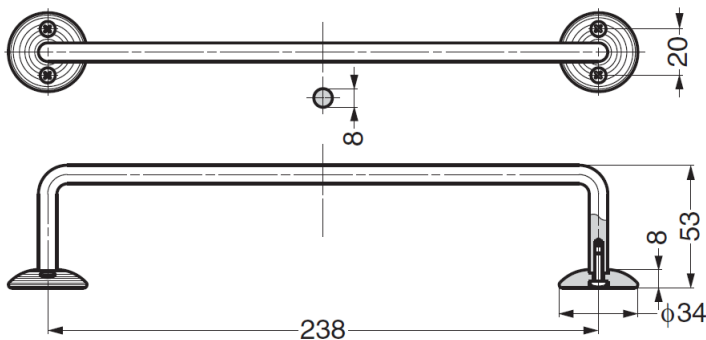
## GSWT-240 Towel Bar

### Material

- Natural wood / steel, chrome finish

### Parts Included

- Binding head tapping screw 3×16 (SUS / brown head screw)



Part No.
GSWT-240